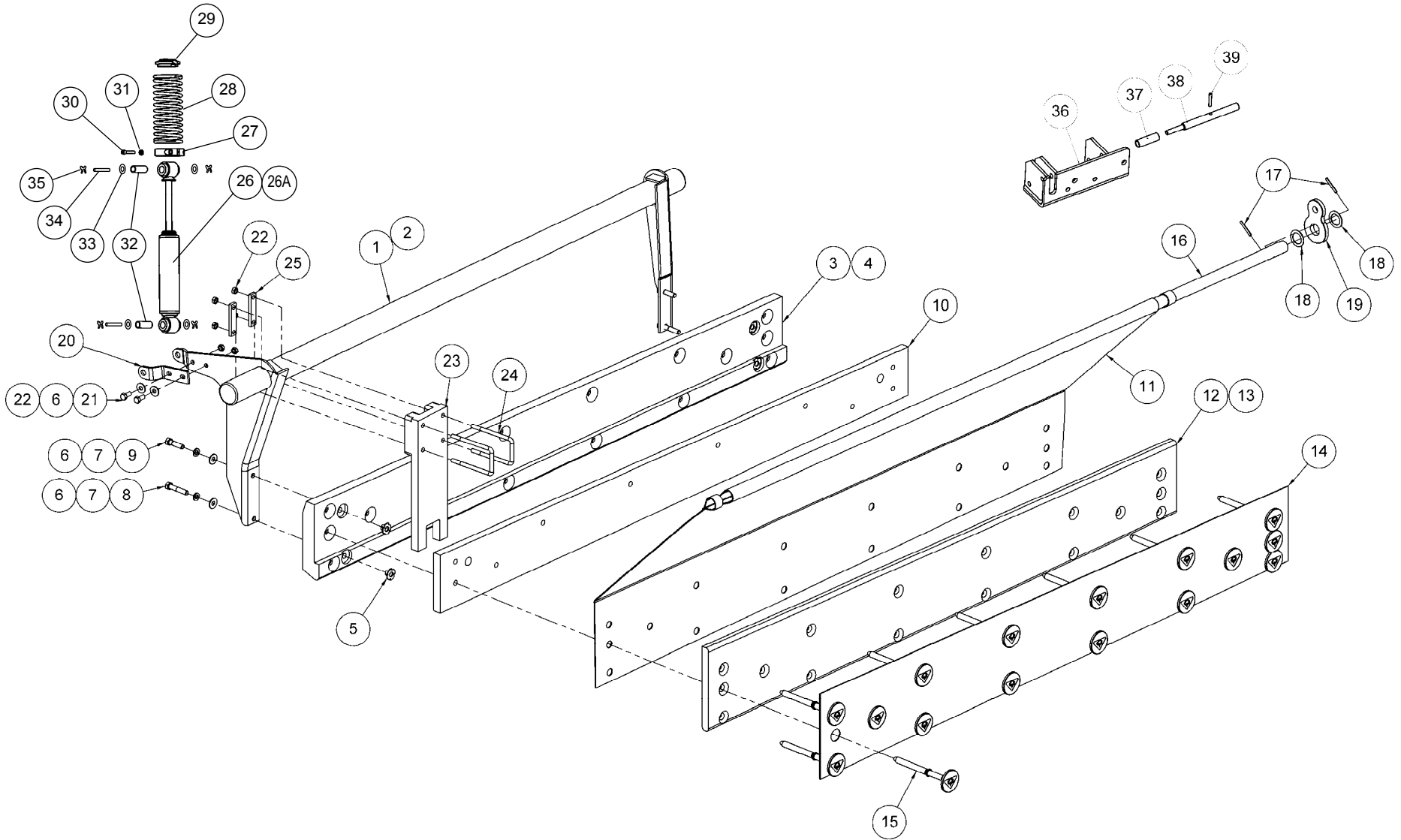


CUSHION, CURTAIN, & SHOCK ABSORBER ASSEMBLY





CUSHION, CURTAIN, & SHOCK ABSORBER ASSEMBLY

ITEM	QTY	PART #	DESCRIPTION	ITEM	QTY	PART #	DESCRIPTION
1	1	070-002-252	TUBE WELDMENT, EVEN MACHINE	26	1	000-022-823	SHOCK ABSORBER w/UPPER COLLAR
2	1	070-002-050	TUBE WELDMENT, ODD MACHINE	26A	1	000-022-824	SHOCK ASSY (Includes items 26 through32)
3	1	000-024-795	PLANK, EVEN MACHINE	27	1	000-022-286	CUSHION STRUT COLLAR
4	1	000-024-796	PLANK, ODD MACHINE	28	1	000-022-288	SPRING
5	4	7045-003716-043	TEE NUT, 3/8 - 16	29	1	000-022-287	SPRING SEATING WASHER
6	4	947-356-617	WASHER, 5/16, FLAT	30	1	810-250-200	SCREW, SOCKET HEAD CAP, 1/4 - 28 X 1-1/4
7	4	951-164-002	WASHER, SPLIT LOCK, 3/8	31	1	951-148-002	WASHER, SPLIT LOCK, 1/4
8	2	809-865-329	SCREW, HEX, 3/8 - 16 X 2	32	2	000-022-822	SLEEVE
9	2	809-865-249	SCREW, HEX, 3/8 - 16 X 1-1/2	33	4	948-975-172	WASHER, FLAT, 1-1/16 X 17/32 X 3/32
10	1	000-022-770	SPONGE RUBBER CUSHION PAD	34	2	000-022-821	PIN
11	1	000-026-450	CURTAIN ASSEMBLY	35	4	963-600-002	X-WASHER
12	1	000-024-808	RUBBER CUSHION, EVEN MACHINE	36	1	070-007-360	SUPPORT BRACKET WELDMENT
13	1	000-024-807	RUBBER CUSHION, ODD MACHINE	37	1	070-001-389	CURTAIN LATCH SPRING
14	1	090-005-230	CUSHION COVER	38	1	070-001-396	CURTAIN LATCH PIN
15	16	000-028-529	RIVET, URETHANE, CUSHION ASSEMBLY	39	1	913-431-160	SPRING PIN, .156 X 1
16	1	070-011-288	CURTAIN ROD				
17	2	913-437-240	SPRING PIN, .187 X 1-1/2				
18	2	945-091-242	WASHER, 1-1/2 X 1 X .046				
19	1	070-005-610	CURTAIN LINK				
20	1	000-024-534	HANGER EAR				
21	2	809-857-125	SCREW, HEX, 5/16 - 18 X 3/4				
22	7	844-057-002	NUT, STOVER LOCK, 5/16 - 18				
23	1	070-001-432	PAD				
24	2	070-001-422	U-BOLT				
25	2	070-001-421	STRAP				