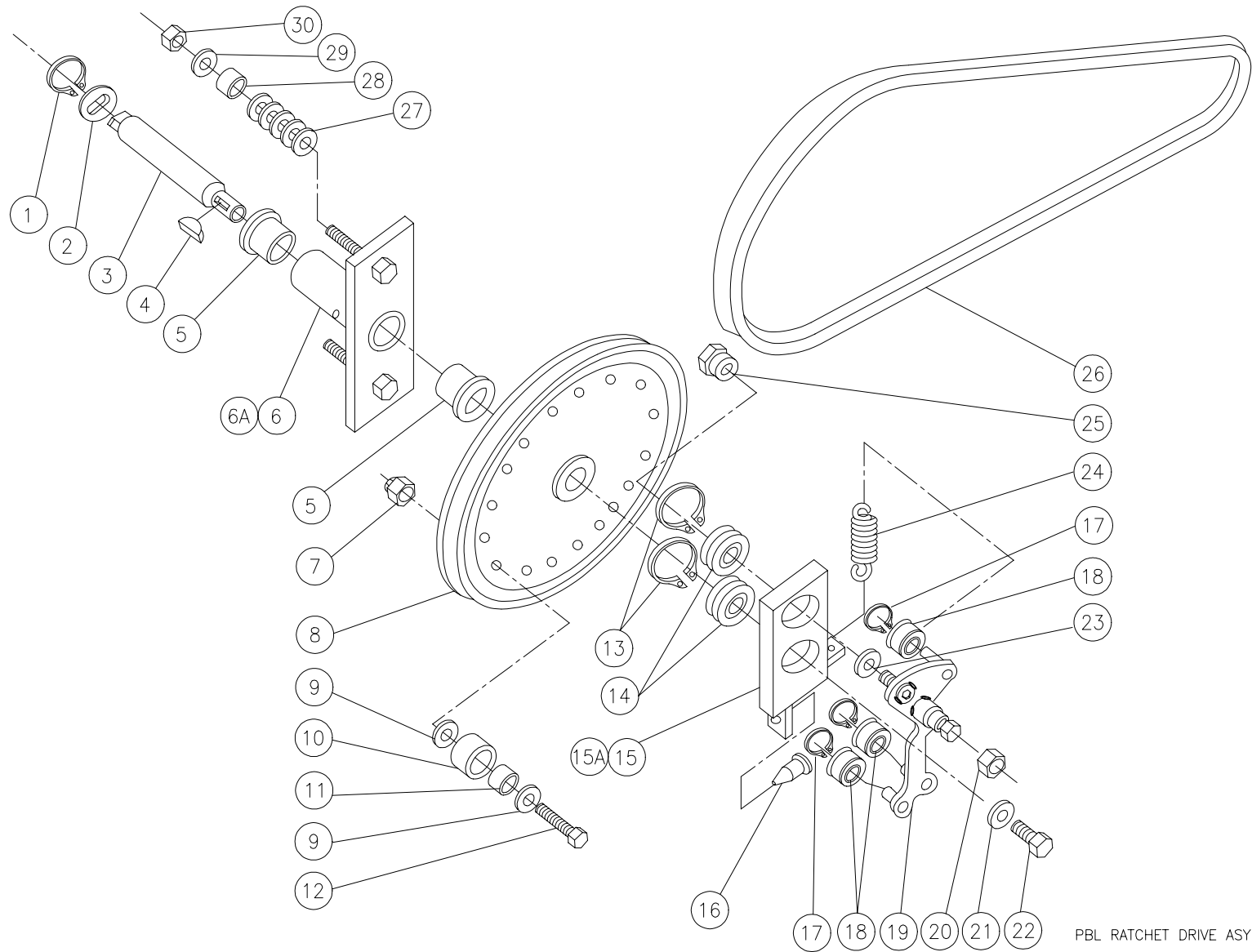


PBL RATCHET DRIVE ASSEMBLY



PBL RATCHET DRIVE ASY



PBL RATCHET DRIVE ASSEMBLY

ITEM	QTY	PART #	DESCRIPTION
1	1	919-005-600	RETAINING RING
2	1	070-011-028	WASHER
3	1	070-011-027	SHAFT
4	1	907-000-200	KEY
5	2	900-212-161	FLANGED BEARING, .753 X 1.003 X 1
6	1	070-011-009	BEARING HOUSING WELDMENT
6A	1	070-011-036	BEARING & HOUSING ASSY (includes 5 & 6)
7	16	839-549-002	NUT, FLEX LOCK, ¼ - 20
8	1	070-011-033	PULLEY
9	32	000-026-865	WASHER
10	16	070-011-030	ROLLER
11	16	070-011-031	ROLLER SPACER
12	16	809-849-205	SCREW, HEX, ¼ - 20 X 1¼
13	2	919-000-600	RETAINING RING
14	2	000-024-679	BALL BEARING, .625 X 1.375
15	1	070-011-013	CRANK WELDMENT
15A	1	070-011-037	CRANK ASSY (includes 13, 14, 15, & 16)
16	1	070-006-142	BUMPER
17	3	919-005-200	RETAINING RING
18	3	070-011-040	RATCHET ROLLER
19	1	070-011-217	RATCHET ARM WELDMENT
20	1	838-866-002	NUT, HEX LOCK, 3/8 - 24, THIN
21	1	947-356-617	WASHER, 5/16
22	1	809-965-125	SCREW, HEX, 3/8 - 16 X ¾
23	1	948-964-142	WASHER, FLAT, .375 X .875 X .094
24	1	070-011-032	SPRING

ITEM	QTY	PART #	DESCRIPTION
25	1	070-011-029	NUT
26	1	070-011-064	V-BELT, RATCHET DRIVE
27	0-26*	948-767-132	WASHER, FLAT, 13/32 X 13/16 X 1/16
28	2	070-008-212	SPACER
29	2	948-761-112	WASHER, FLAT, 11/32 X 11/16 X 1/16
30	2	844-057-002	NUT, STOVER LOCK, 5/16 - 18

* The number of washers used depends on the spacing between the left and right machines' kickplates. See installation drawing 610-007-043.