

TRIP STOP SUPPORT ASS'Y. & CLUTCH PLT. ASS'Y.

ITEM	PART NUMBER	DESCRIPTION
57	809 849 125	Screw Hex Hd. Cap. 1/4-20 x 3/4" LG.
58	844 049 002	Lock Nut Stover 1/4-20
59A	070 006 083	Stop Blade Used With 070 006 062 Clutch Plate Ass'y.
60	070 006 084	Trip Stop Support Brk't.
61	000 026 865	Washer
62A	070 006 087	Pivot - (3 1/32 Long)
64	070 006 142	Bumper
139	809 849 245	Screw, Hex Hd. Cap 1/4-20 x 1 1/2" LG.

TRIP ROCKER ARM ASS'Y. & TRIP ROD ASS'Y.

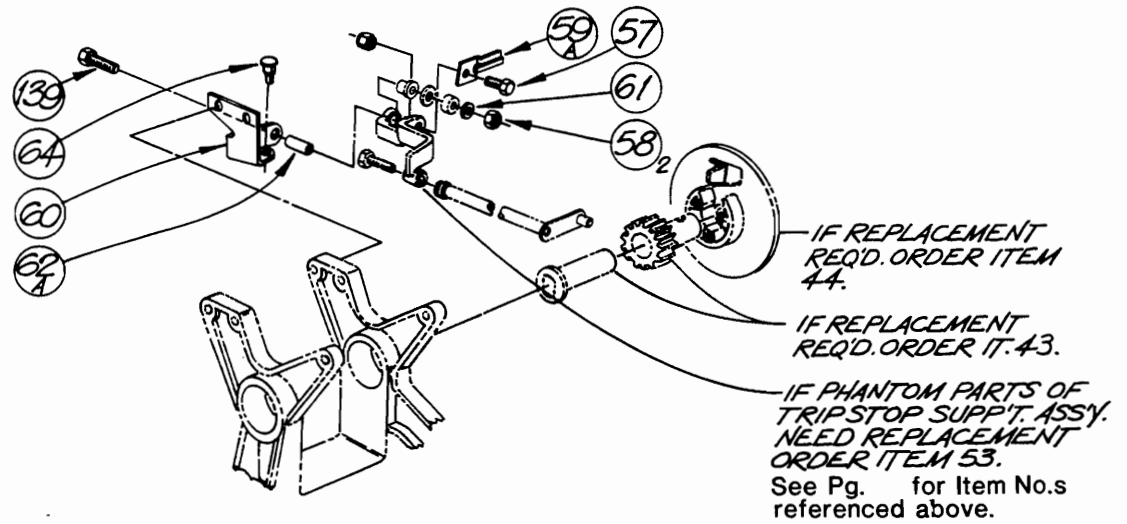
ITEM	PART NUMBER	DESCRIPTION
31	840 039 002	Nut, FlexLoc 10-24
73a	070 006 022	Tube Ass'y. Middle (7 1/2" Long)
75a	070 006 028	Trip Rocker Arm Weldm't.
81	810 239 160	Screw, Soc. Hd. Cap. 10-24 x 1
102	070 006 035	Spring
103	070 006 019	Collar (Spring)
140	810 239 120	Screw, Soc. Hd. Cap - 10-24 x 3/4"
141	070 007 304	Rod End

DRIVE PULLEY

ITEM	PART NUMBER	DESCRIPTION
27a	070 006 078	Drive Pulley (HUB 15/16" Dia.)
28	070 006 077	Shaft
30	810 239 240	Screw, Soc. Hd. Cap 10-24 x 1 1/2"
31	840 039 002	Nut, FlexLoc 10-24
142	070 006 079	Drive Block
143	610 704 027	Drive Lug Kit (Includes Item 142 Drive Blocks)

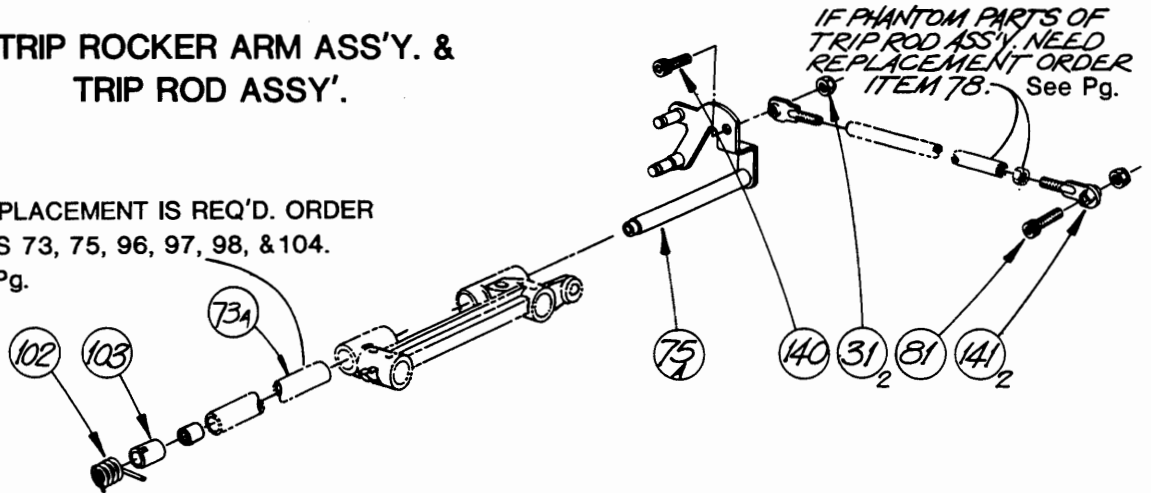
NOTE: Item 143 Not Used With 070 006 666 Drive Pulley (HUB 1 1/8" Dia.)

TRIP STOP SUPPORT ASS'Y. & CLUTCH PLATE ASS'Y.



TRIP ROCKER ARM ASS'Y. & TRIP ROD ASSY'.

IF REPLACEMENT IS REQ'D. ORDER ITEMS 73, 75, 96, 97, 98, & 104. See Pg.



DRIVE PULLEY

