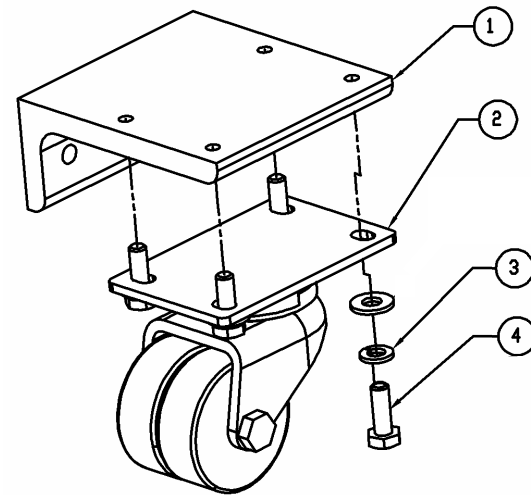


**294-115-167 Caster Assembly**

	NUMBER	DESCRIPTION
1	294-115-056	Caster Bracket
2	294-115-057	Lane Caster
3	951-148-008	Washer: 1/4, Split, Lock
4	809-849-125	Screw: 1/4-20 X 3/4, Hex Head



**294-115-135 E - Stop Assembly**

	NUMBER	DESCRIPTION
1	294-115-197	E - Stop Switch Assembly
2	02-307	Wire: 2 - Conductor, Shielded, 22 AWG
3	294-115-136	Connector: 2 - Position
4	02-299	Female Terminal: 18-24 AWG

