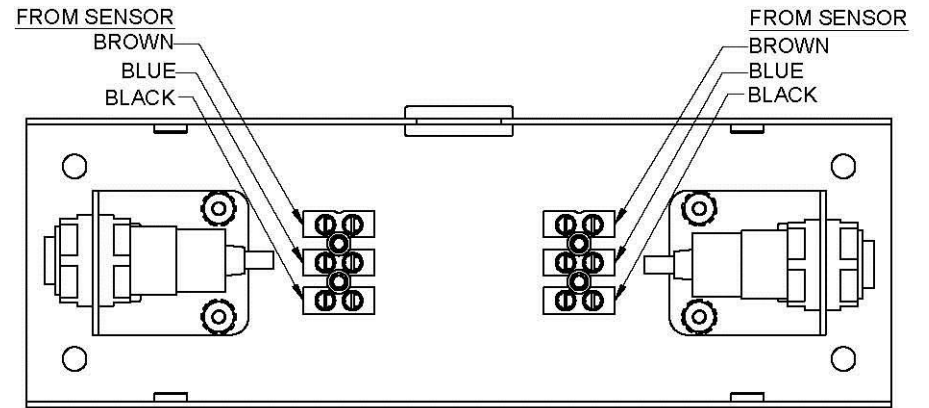
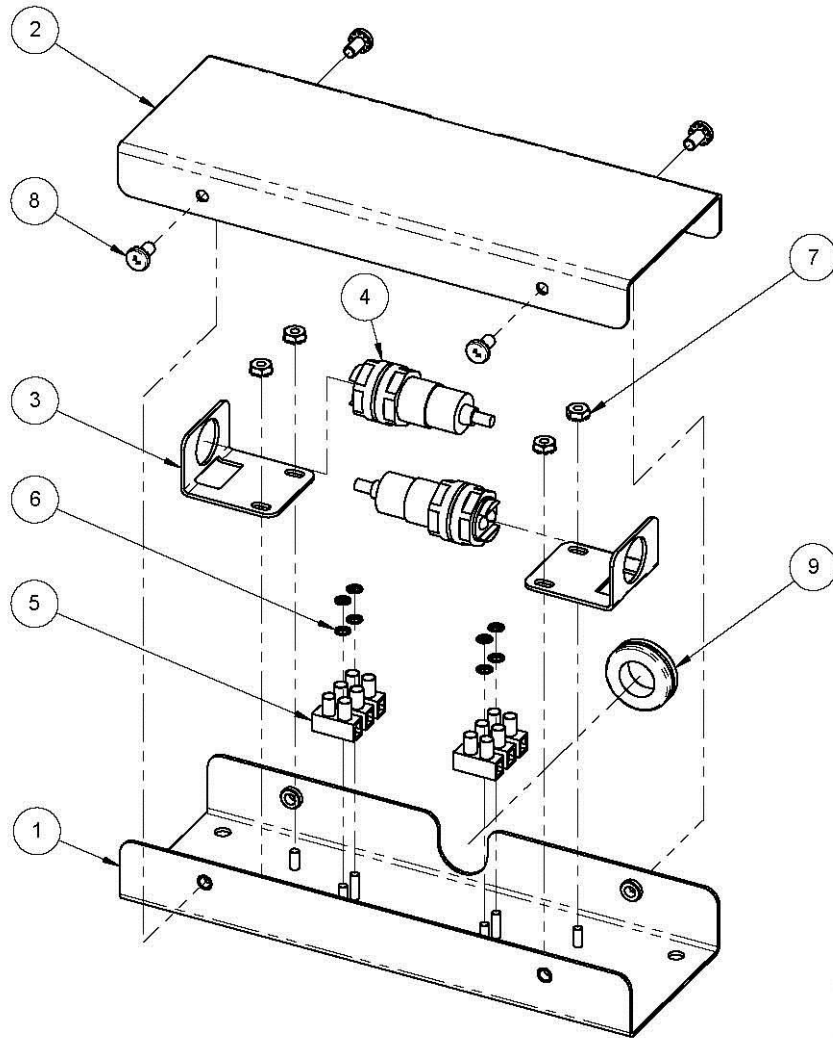


# BALL DETECTOR ASSEMBLY





## BALL DETECTOR ASSEMBLY

ITEM	QTY	PART #	DESCRIPTION
1	1	088-000-502	BALL DETECTOR BASE ASSEMBLY
2	1	088-000-503	BALL DETECTOR COVER
3	2	088-000-504	BALL DETECTOR SENSOR BRACKET
4	2	088-000-422	OPTICS RETROFLECTIVE SENSOR
5	2	760-600-028	TERMINAL STRIP 18-10AWG 3C 1R
6	8	848-537-480	PN 0.183 X 0.25 X 0.031 NS
7	4	843-127-002	KN 6-32 ZN
8	4	818-240-062	PHPMS 10-32 X 0.38 ZN SEMS
9	1	711-520-012	GPI 0.63 X 0.88 X 0.06 RB 1

ITEM	QTY	PART #	DESCRIPTION
------	-----	--------	-------------