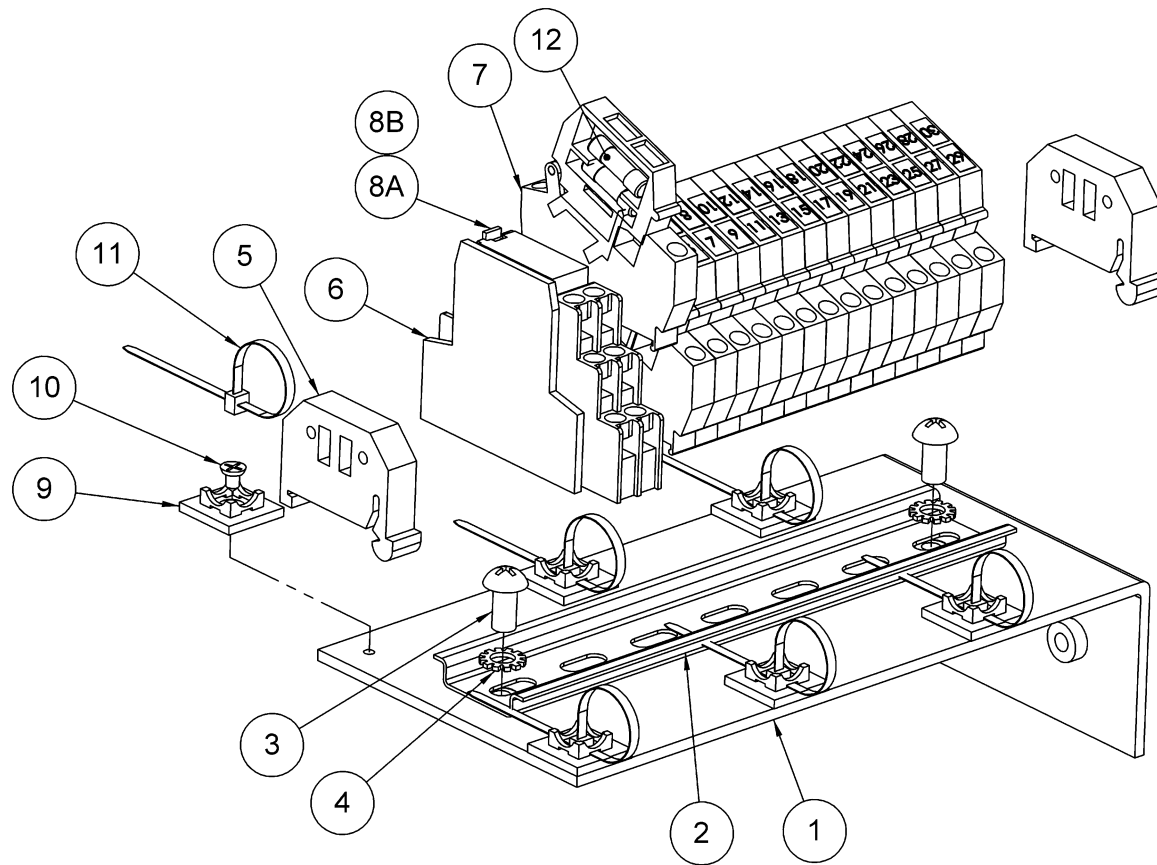


**294-002-356, 110 VOLT
294-002-238, 220 VOLT
FUSE BLOCK ASSEMBLY**



**294-002-356, 110 VOLT
294-002-238, 220 VOLT
FUSE BLOCK ASSEMBLY**

	PART NO.	DESCRIPTION	QTY
1	294-002-226	FUSE MOUNTING BRACKET	1
2	294-002-538	DIN-RAIL MOUNT, 7 INCH	1
3	01-027	SCREW, 1/4-20 X 1/2 ROUND HEAD	2
4	01-053	LOCK WASHER, 1/4 EXTERNAL TOOTH	2
5	294-002-232	END STOP, SCREWLESS	2
6	294-002-240	END PLATE	1
7	294-002-241	FUSED DISCONNECT TERMINAL BLOCK, PIVOTABLE	15
8A	294-002-494	DIN RAIL RELAY ASSEMBLY, 110 VOLT	1
8B	294-002-531	DIN RAIL RELAY ASSEMBLY, 220 VOLT	1
9	02-539	ADHESIVE WIRE MOUNT	6
10	01-355	SCREW, 6 X 1/4 FLAT HEAD, PHILLIPS	6
11	770-013-043	PANDUIT STRAP	6
12	See Below	FUSE, 5 x 20 MM	-

Fuses for 110 Volt S-Series

294-002-327	FUSE, 5 x 20 MM, T 1.00A	1
294-002-324	FUSE, 5 x 20 MM, T 4.00A	12
294-002-325	FUSE, 5 x 20 MM, T 6.30A	1
294-002-326	FUSE, 5 x 20 MM, T 10.00A	1

Fuses for 220 Volt S-Series

294-002-246	FUSE, 5 x 20 MM, T 500MA	1
294-002-252	FUSE, 5 x 20 MM, T 2.00A	12
294-002-253	FUSE, 5 x 20 MM, T 3.15A	1
294-002-254	FUSE, 5 x 20 MM, T 5.00A	1